

LIST OF MATERIAL-CONTRACTOR SUPPLIED				
ITEM NO.	QTY REQD	PART NO.	DESCRIPTION	MATERIAL MATERIAL SPEC
1	1	J	FIXED RODMETER ASSY	IC/E-46-6 MIL-U-18033
REF			SENSING ELEMENT ASSY	FIBERGLAS
REF			HULL FITTING ASSY	NI-CU-AL ALY QQ-N-286, CL A
REF			ROD END, FIXED	CAST NI-CU ALY QQ-N-288, COMP E
REF		30652-1	CAP, HULL FITTING	AL-BRZ ALY QQ-B-679, COMP 1
REF		30649-1	DOWEL, LOCATING (1/2 DIA)	NI-CU ALY QQ-N-281, CL A
REF		AN6227-25	PACKING "O" RING	SYN RUBBER MIL-P-5516
2	1	30651-1	NUT, HEX	NI-CU ALY QQ-N-281, CL A
3	1	MS16624-4225	RING, RETAINING EXT	CRES MIL-R-21248
4	1	30653-1	WASHER	NI-CU ALY QQ-N-281, CL A
5	1	AN6227-35	PACKING "O" RING	SYN RUBBER MIL-P-5516
6	1	AN6227-37	PACKING "O" RING	SYN RUBBER MIL-P-5516
7	1	50216-1	HOUSING, JACK SCREW	CAST CU ALY QQ-C-390, TYPE II
8	1	40274-1	SCREW, JACKING	NI-CU ALY QQ-N-281, CL A
9	2	40275-1	SCREW, LOCKING	AL-BRZ ALY QQ-B-679, COMP 2
10	2	40276-1	STOP	NI-CU-ALY QQ-N-281, CL A
11	2	AN6227-10	PACKING "O" RING	SYN RUBBER MIL-P-5516
12	1	50220-501	HULL PLUG ASSY	NI-CU-AL ALY QQ-N-286, CL A
13	1	1180 1/4 x 1/4	COCK, GROUND, KEY	BRONZE B62-52
14	4	30647-1	SCREW, CAP, SOCKET HD DRILLED	NI-CU ALY QQ-N-281, CL A
15	4	30648-1	BOLT, HEX HD DRILLED	NI-CU ALY QQ-N-281, CL A
16	1	50857-501	LINER	STEEL/MONEL MIL-S-20166 GRADE "M"
17	1	40826-501	CABLE ASSY (25 FEET)	
18	1	AN6227-21	PACKING "O" RING	SYN RUBBER MIL-P-5516

REFERENCE DRAWINGS	
MIL-C-24231/38	MOLDED PLUG

REVISIONS				
ZONE	LTR	DESCRIPTION	DATE	APPROVED

D

D

C

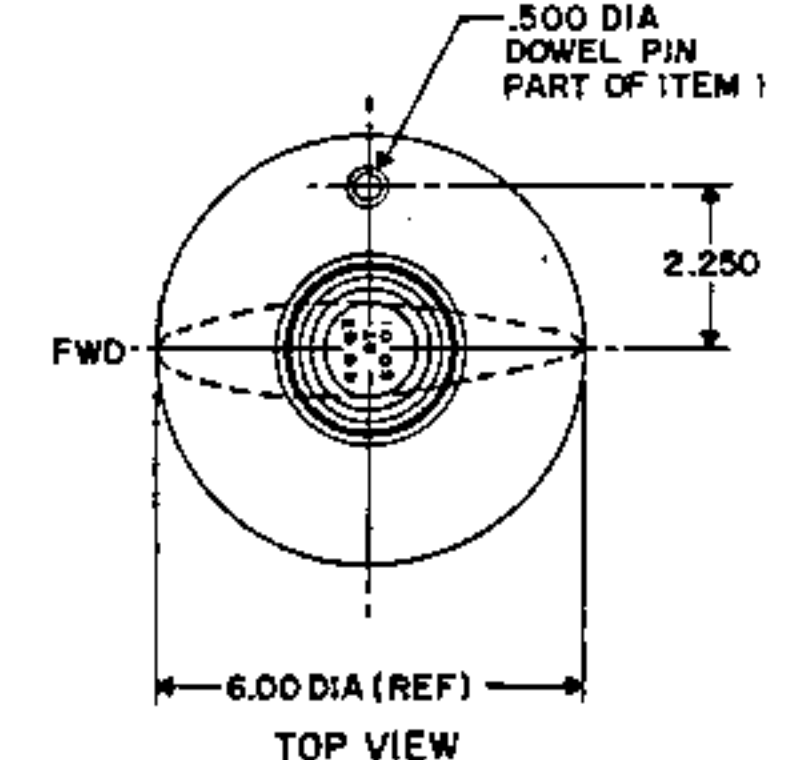
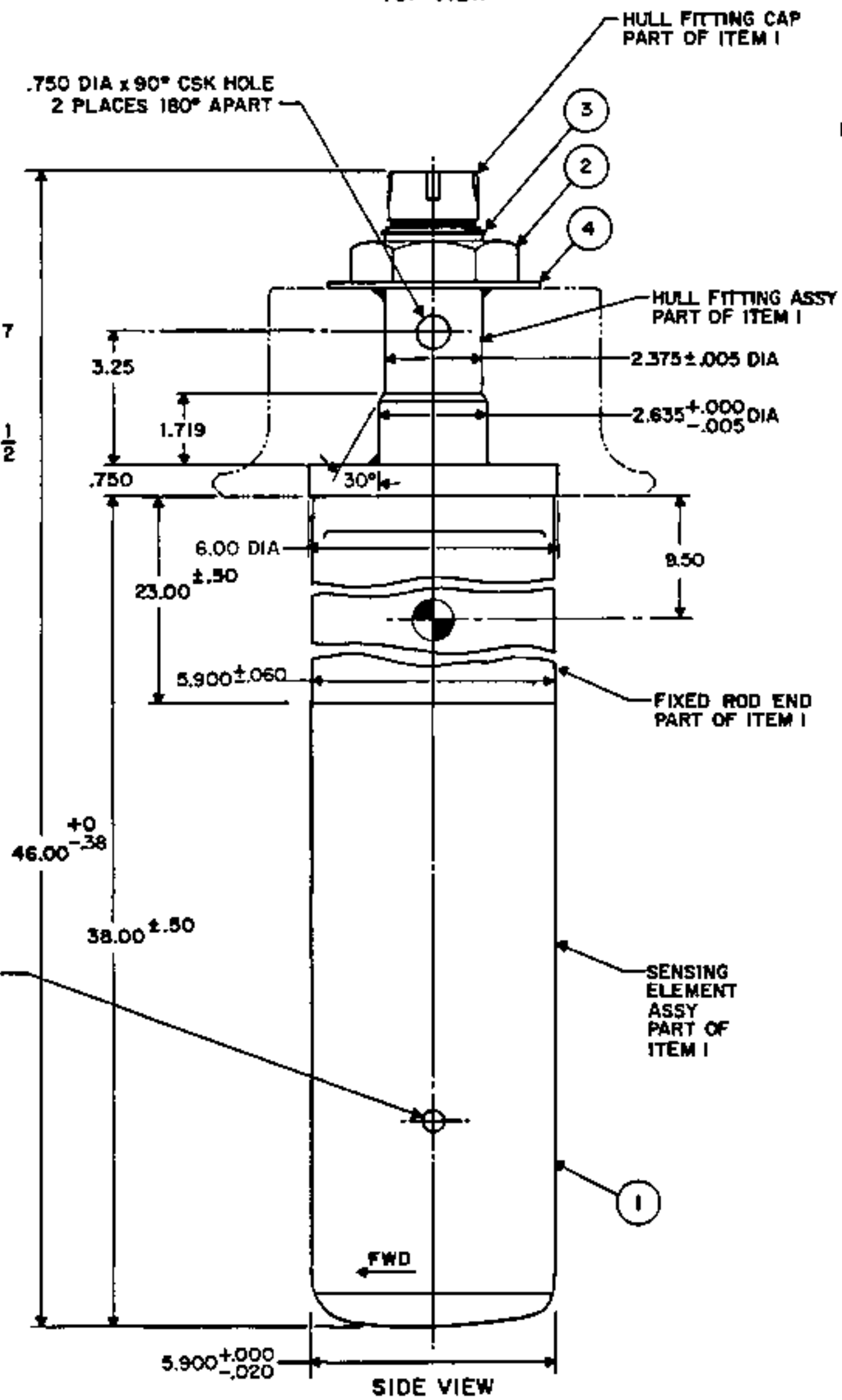
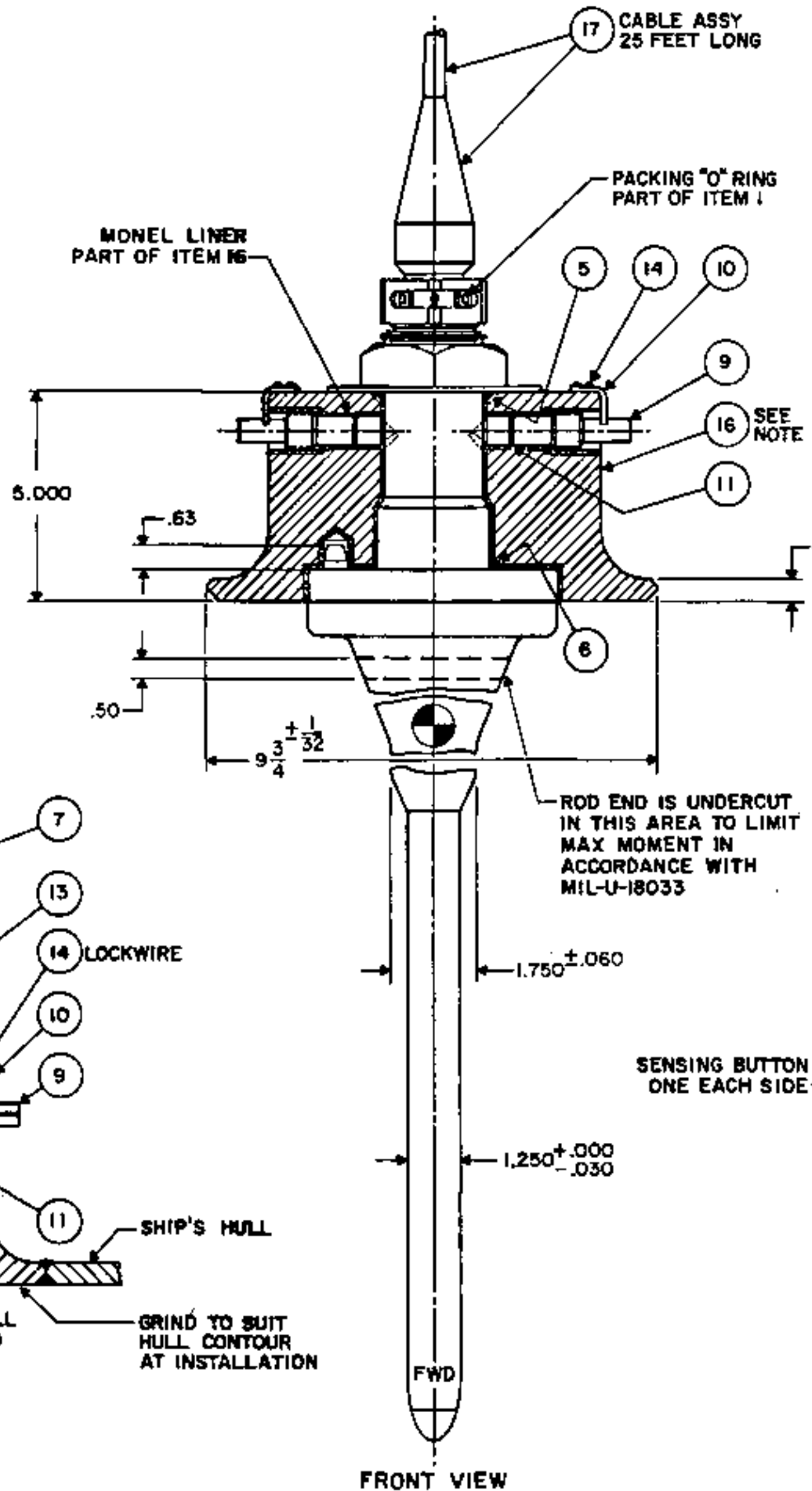
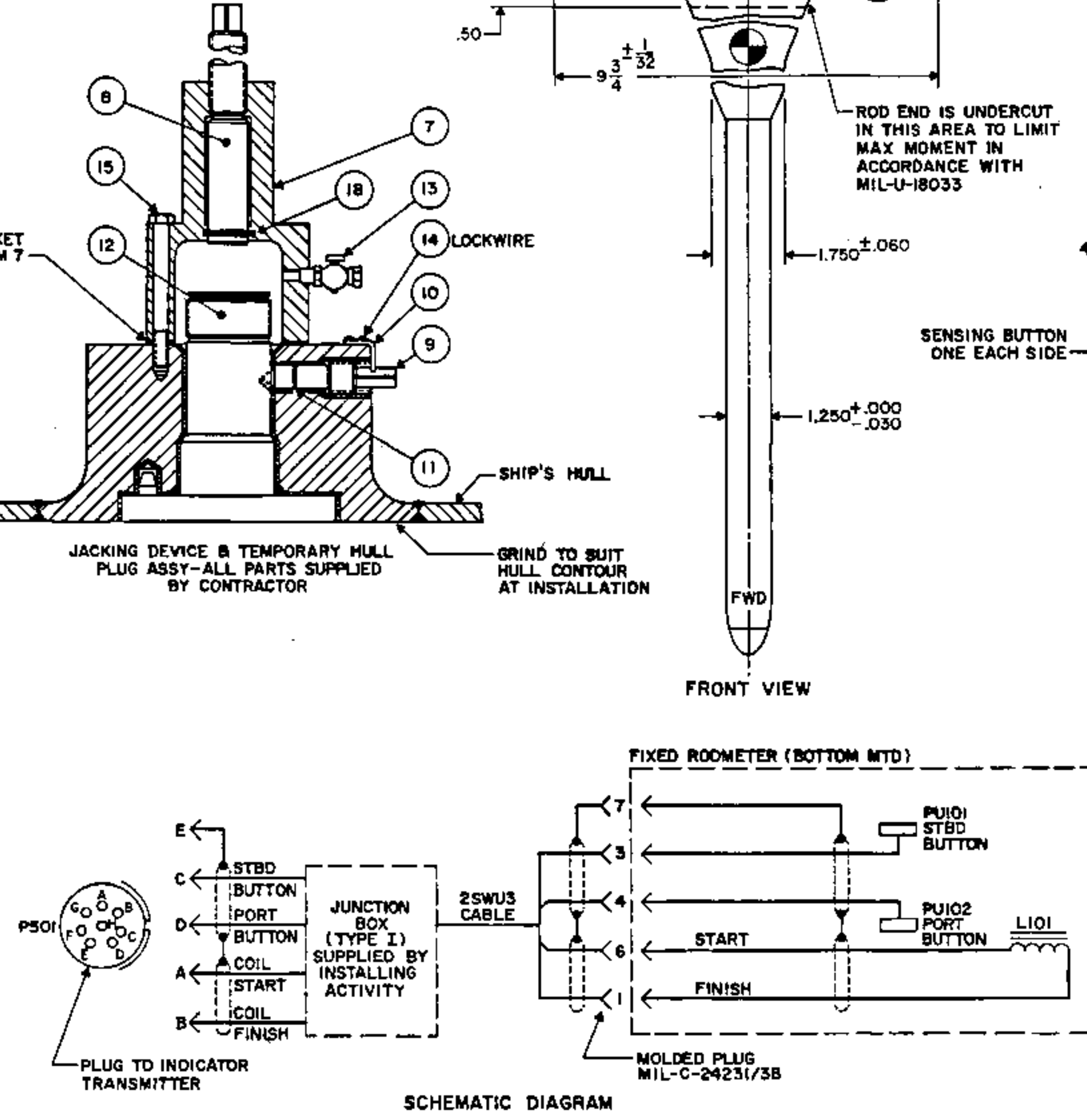
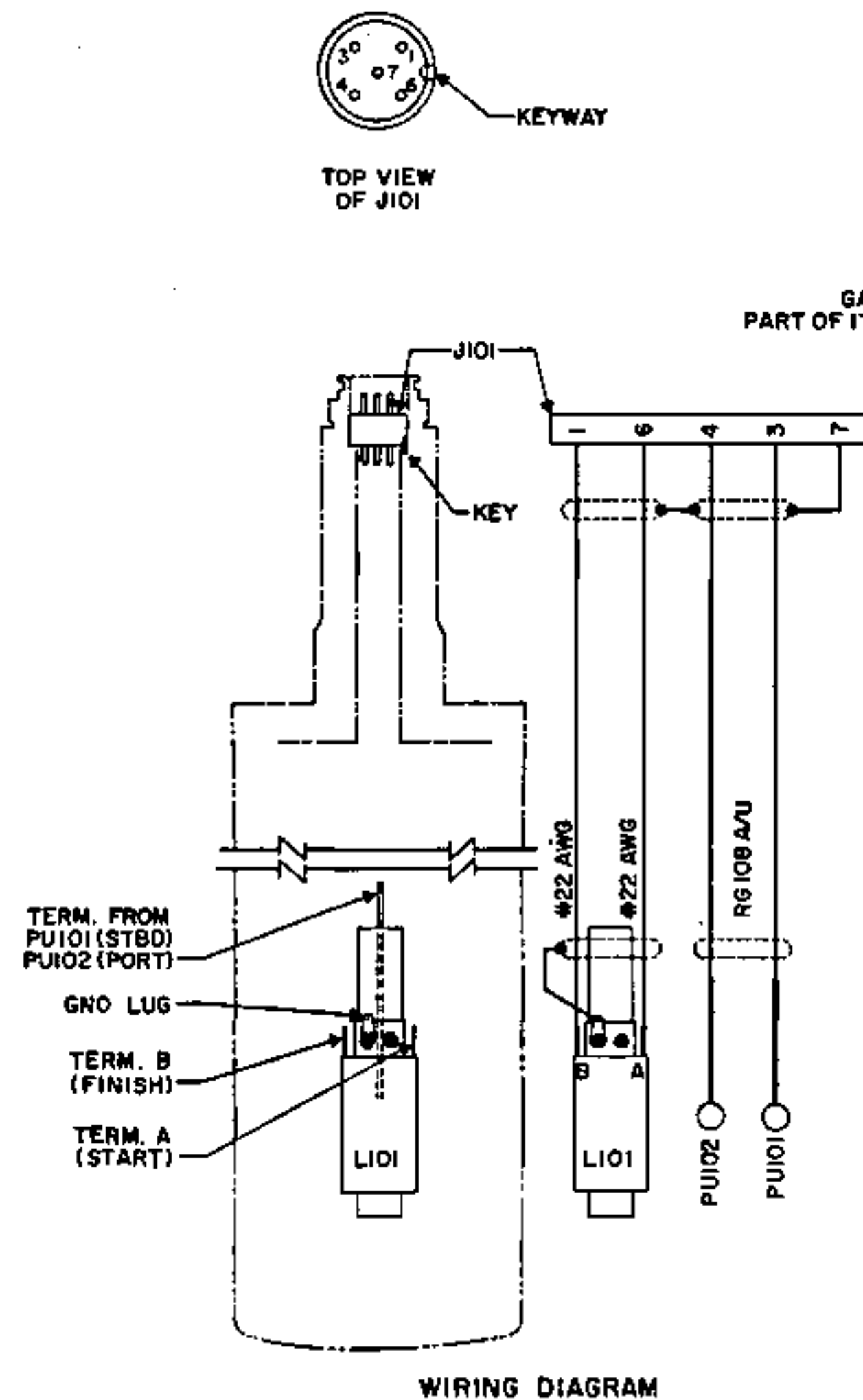
C

B

B

A

A



- NOTES:
- TORQUE REQUIREMENT ON HEX NUT - 100 FT LB MIN.
  - LUBRICATE "O" RINGS WITH MOLYCOTE WHEN INSTALLING.
  - CABLE SHIELDS MUST BE CONTINUOUS AND SHOULD SHIELD WIRES AS MUCH AS PRACTICABLE.
  - AFTER INSTALLING CABLES, BUT BEFORE EQUIPMENT IS CONNECTED, MEGGER AT 500V ALL WIRES AND SHIELDS TO HULL. RESISTANCE SHALL BE GREATER THAN 100 MEG Ω.
  - ONLY TYPE I OR TYPE II JUNCTION BOX TO BE USED. CHECK CABLE AND CONNECTOR REQUIREMENTS OF INDICATOR/TRANSMITTER TO BE USED BEFORE INSTALLMENT.
  - MOUNTING LOCATION OF FIXED ROOMETER(S) TO BE APPROVED BY NAVSEC.
  - FORE AND AFT ALIGNMENT OF HULL LINER AND ROD TO BE PARALLEL WITHIN 0°-75' OF SHIP FORE AND AFT AXIS.
  - FOR DESCRIPTION OF ELECTRO MAGNETIC LOG SYSTEM SEE INSTRUCTION MANUAL NAVSHIPS 0965-074-1010.
  - POWER FOR ROOMETER OBTAINED FROM INDICATOR/TRANSMITTER: 50 VOLTS 60Hz 0.750 AMP NORMAL; 0.800 AMP MAX. SIGNAL FROM BUTTONS 60Hz 13MV MAX.
  - DC RESISTANCE BETWEEN SIGNAL BUTTONS WHEN ROOMETER IS IMMERSED VARIES FROM ABOUT 400 TO 40,000 OHMS DEPENDING ON WATER CONDUCTIVITY, METER SCALE AND LENGTH OF TIME METER IS CONNECTED. COIL IMPEDANCE IS APPROXIMATELY 14 + jωD.175.
  - HEAT DISSIPATION - 10 WATTS
  - THE LOWER TIP OF THE ROOMETER SHALL ATTRACT THE SOUTH POLE OF A MAGNET COMPASS WHEN THE COIL IS ENERGIZED WITH 6 VOLTS DC WITH TERMINAL 6 (START) POSITIVE WITH RESPECT TO TERMINAL 1 (FINISH).
  - ⊙ INDICATES CENTER OF GRAVITY WITHOUT PLUG.
  - WEIGHTS:  
ROOMETER ASSY - 80 LB IN AIR, . LB IN WATER  
JACKING DEVICE ASSY - 34 LB  
CABLE ASSY - 7 LB  
HULL PLUG - 14 LB  
HULL LINER - 70 LB

PRELIMINARY

UNLESS OTHERWISE SPECIFIED DIMENSIONS ARE IN INCHES TOLERANCES ON FRACTIONS DECIMALS ANGLES 2 PL DEC ±.03 ±0°-30 3 PL DEC ±.010		DRAWING STARTED	DATE	PITOMETER LOG CORP PARAMUS, N.J.	
MATERIAL: AS SPECIFIED		DRAWN: Vincent C. Shanta 21 NOV 80		FIXED RODMETER IC/E 46-6 THRU HULL MTG UNDERWATER LOG EQUIP OUTLINE & INSTALLATION	
FINISH:		ENGR		SIZE CODE IDENT NO. D 47496	50871
NEXT ASSY	USED ON	APPLICATION		SCALE 3/8" = 1"	SHEET